

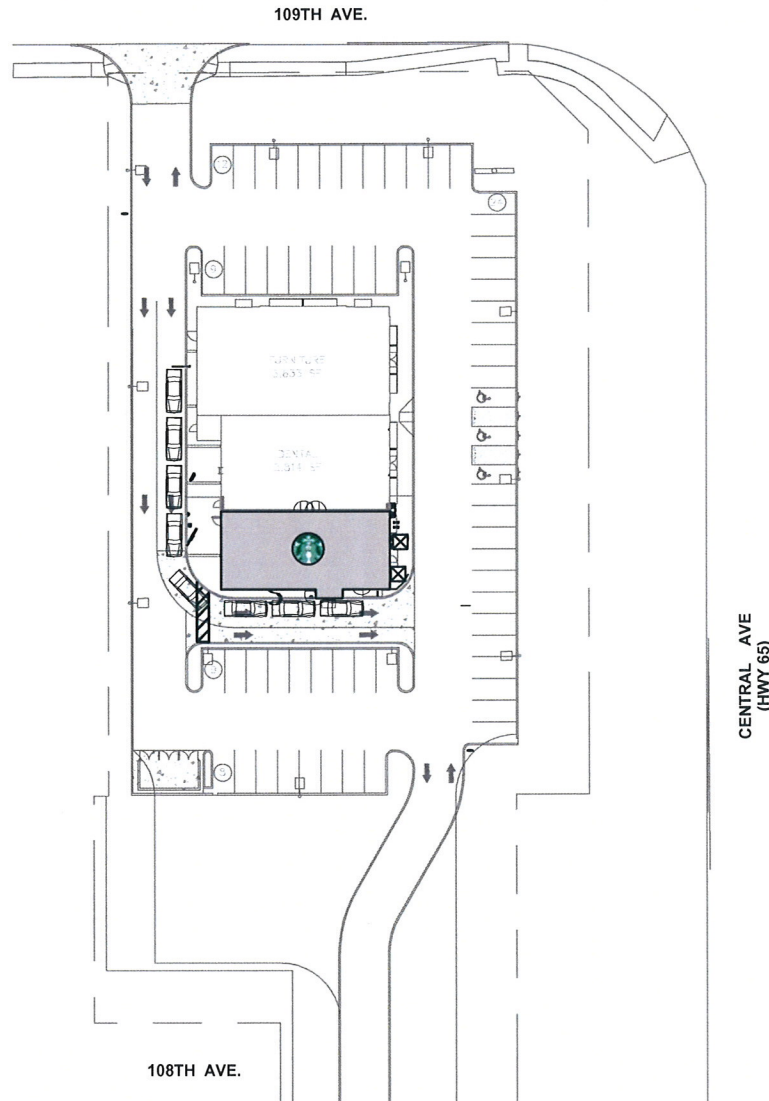
**Case File No. 14-0052**

Blaine Planning Department / 10801 Town Square Dr NE / Blaine, MN 55449 / (763) 785-6180



Project Address: 1384 109TH AVENUE  
BLAINE, MN 55449

TITLE: STARBUCKS OUTDOOR SEATING  
Issue Date: AUGUST 4, 2014



**1** SITE PLAN OVERALL  
Scale: 1" = 80'-0"





Project Address: 1384 109TH AVENUE  
BLAINE, MN 55449

TITLE: STARBUCKS OUTDOOR SEATING  
Issue Date: AUGUST 4, 2014

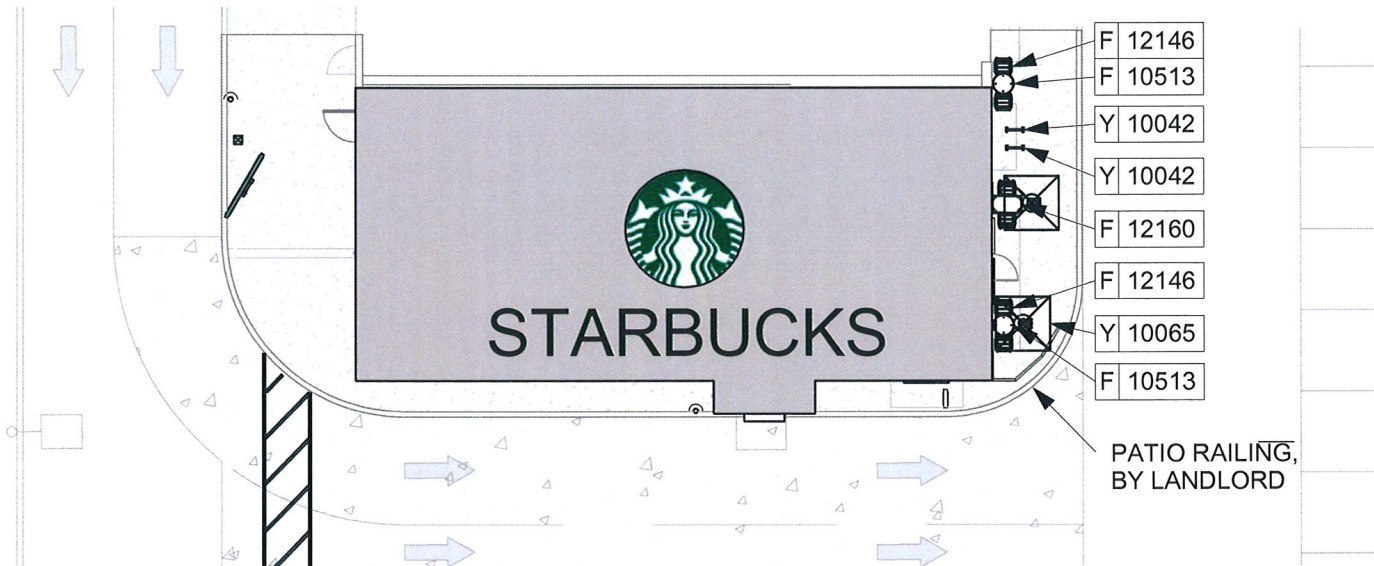


**OUTDOOR UMBRELLA - "Y"**

DESIGN ID	COUNT	DESCRIPTION	RESP.	COMMENTS
UMBRELLA				
10065	2	UMBRELLA - 72IN - LOGO	3PL	
12139	2	UMBRELLA - BASE FOR CANOPY - SILVER MT0021	3PL	

**OUTDOOR FURNITURE - "F"**

DESIGN ID	COUNT	DESCRIPTION	RESP.	COMMENTS
CHAIR				
12146	6	CHAIR - CAFE SLATTED METAL SUITE WITH ARMS - BLACK MT0028	3PL	
TABLE				
10513	2	TABLE - CAFE METAL SUITE ROUND - 28IN - BLACK MT0028	3PL	
12160	1	TABLE - ACCESSIBLE METAL SUITE - 39X23IN - BLACK MT0028	3PL	

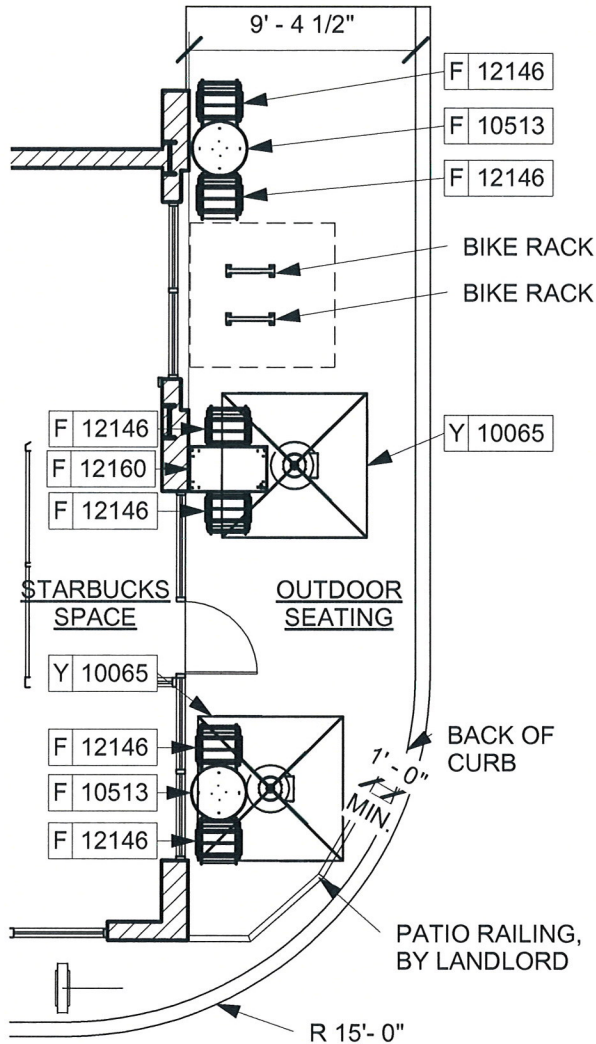


**1 SITE PLAN**  
Scale: 3/64" = 1'-0"



Project Address: 1384 109TH AVENUE  
BLAINE, MN 55449

TITLE: STARBUCKS OUTDOOR SEATING  
Issue Date: AUGUST 4, 2014



OUTDOOR FURNITURE - "F"				
DESIGN ID	COUNT	DESCRIPTION	RESP.	COMMENTS
CHAIR				
12146	6	CHAIR - CAFE SLATTED METAL SUITE WITH ARMS - BLACK MT0028	3PL	
TABLE				
10513	2	TABLE - CAFE METAL SUITE ROUND - 28IN - BLACK MT0028	3PL	
12160	1	TABLE - ACCESSIBLE METAL SUITE - 39X23IN - BLACK MT0028	3PL	

OUTDOOR UMBRELLA - "Y"				
DESIGN ID	COUNT	DESCRIPTION	RESP.	COMMENTS
UMBRELLA				
10065	2	UMBRELLA - 72IN - LOGO	3PL	
12139	2	UMBRELLA - BASE FOR CANOPY - SILVER MT0021	3PL	

1

# OUTDOOR SEATING- PLAN

Scale: 1/8" = 1'-0"

